

PRODUCT SPECIFICATION 产品规格书

NM1801N-M

Rectangle Frameless Mirror
and Magnifier

放大镜方型半框镜



(Rough-in Dimensions):

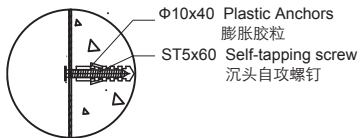
安装尺寸图:

(Unit): mm

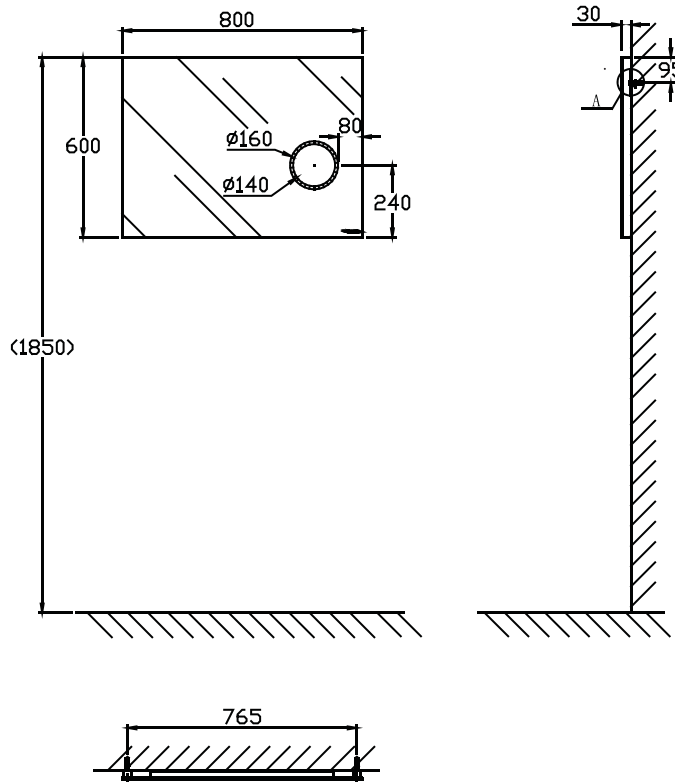
单位: 毫米

Size: 600*800mm

尺寸: 600*800mm



A处 (5:1)



Item No. 品号	NM1801N-M
Available Color 颜色	Black Frame 黑色边框
Materials 材质	5mm The mirror, Aluminum 5mm 镜子, 铝合金方管
Shipping Package 运输包装	CTN/Set: 1 CTN M ³ /CTN: 0.025M ³ G.W/CTN: 7.5kg 箱/套: 1 箱 体积/箱: 0.025 M ³ 毛重/箱: 7.5kg
Hardware Accessories (hinge) 五金配件(铰链)	There is no 无
Certification is introduced 认证介绍 (电器)	There is no 无
Function is introduced 功能介绍	A magnifying glass 放大镜功能
Remarks: Enclosed screw package installation 备注: 内附安装螺丝包	

INNOCI reserves the right to make changes or modifications on any of its products without advance notice.
INNOCI 艺耐公司保留不事先通知便改变或修改的权利

innoci

Innoci Sanitary ware Co., Ltd
www.innoci.com

Version : A0
版次 : A0