

PRODUCT SPECIFICATION 产品规格书

NM18006N-LM

80cm Round Mirror With LED, Magnifer

80公分 LED带放大镜圆型镜



(Rough-in Dimensions):

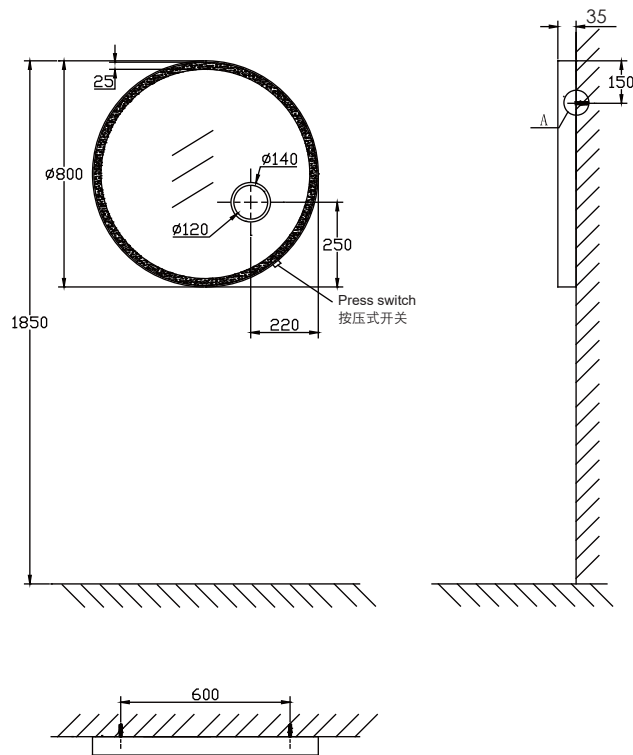
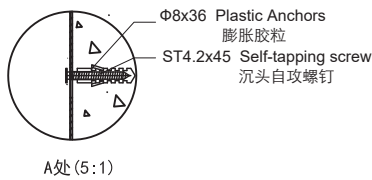
安装尺寸图:

(Unit): mm

单位: 毫米

Size: Ø800*35mm

尺寸: Ø800*35mm



Item No. 品号	NM18006N-LM
Available Color 颜色	SUS304 Frame 不锈钢边框
Materials 材质	5mm thickness glass, Aluminum 5mm镜子, 铝合金方管
Shipping Package 运输包装	CTN/Set: 1 CTN M ³ /CTN: 0.059 M ³ G.W/CTN: 13.6 kg 箱/套: 1箱 体积/箱: 0.059 M ³ 毛重/箱: 13.6 kg
Hardware Accessories (hinge) 五金配件(铰链)	There is no 无
Certification is introduced 认证介绍 (电器)	IP44certification IP44认证
Function is introduced 功能介绍	LED function A magnifying glass Anti-fog mirror LED功能 放大镜功能 防雾镜
Remarks: White light, Voltage: AC220V; Frequency: 50HZ. Press switch 备注: 白光光源, 电压: AC220V, 频率: 50HZ。按压开关	

INNOCI reserves the right to make changes or modifications on any of its products without advance notice.
INNOCI 艺耐公司保留不事先通知便改变或修改的权利

innoci[®]

Innoci Sanitary ware Co., Ltd
www.innoci.com

Version : A0
版次 : A0