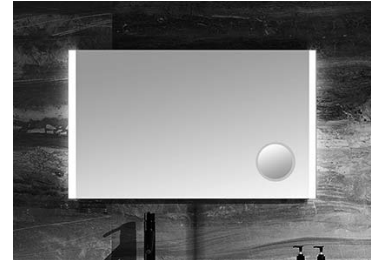


# PRODUCT SPECIFICATION 产品规格书

## NM18007N-LM

Rectangle Mirror With LED(Magnifying)

LED方型镜（放大功能）



(Rough-in Dimensions):

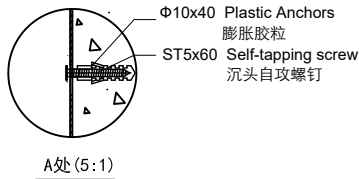
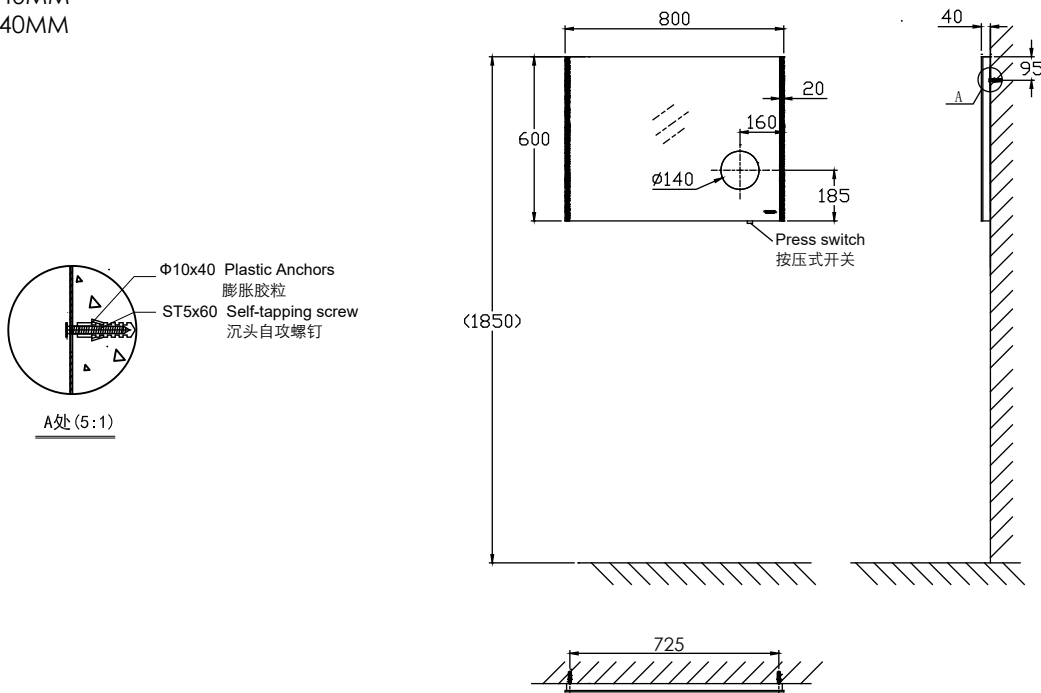
安装尺寸图:

(Unit): mm

单位: 毫米

Size: 800\*600\*40MM

尺寸: 800\*600\*40MM



Item No. 品号	NM18007N-LM		
Available Color 颜色	Metallic Frame 铝合金本色边框		
Materials 材质	5mm The mirror, Aluminum 5mm镜子, 铝合金方管		
Shipping Package 运输包装	CTN/Set: 1 CTN 箱/套: 1 箱	M <sup>3</sup> /CTN: 0.06M <sup>3</sup> 体积/箱: 0.06 M <sup>3</sup>	G.W/CTN: 10.5kg 毛重/箱: 10.5kg
Hardware Accessories (hinge) 五金配件(铰链)	There is no 无		
Certification is introduced 认证介绍 (电器)	IP44 certification IP44 认证		
Function is introduced 功能介绍	LED function LED 功能	Anti-fog mirror 防雾镜	A magnifying glass 放大镜功能
Remarks: Enclosed screw package installation 备注: 内附安装螺丝包			

INNOCI reserves the right to make changes or modifications on any of its products without advance notice.  
INNOCI 艺耐公司保留不事先通知便改变或修改的权利

**innoci**

Innoci Sanitary ware Co., Ltd  
www.innoci.com

Version : A0  
版次 : A0