

PRODUCT SPECIFICATION 产品规格书

NM110003N-LM

Rectangle Frame Mirror With LED(Magnifying)

LED方型全框镜（放大功能）



(Rough-in Dimensions):

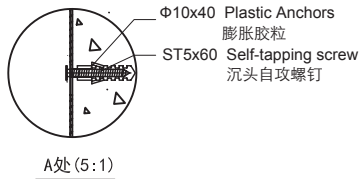
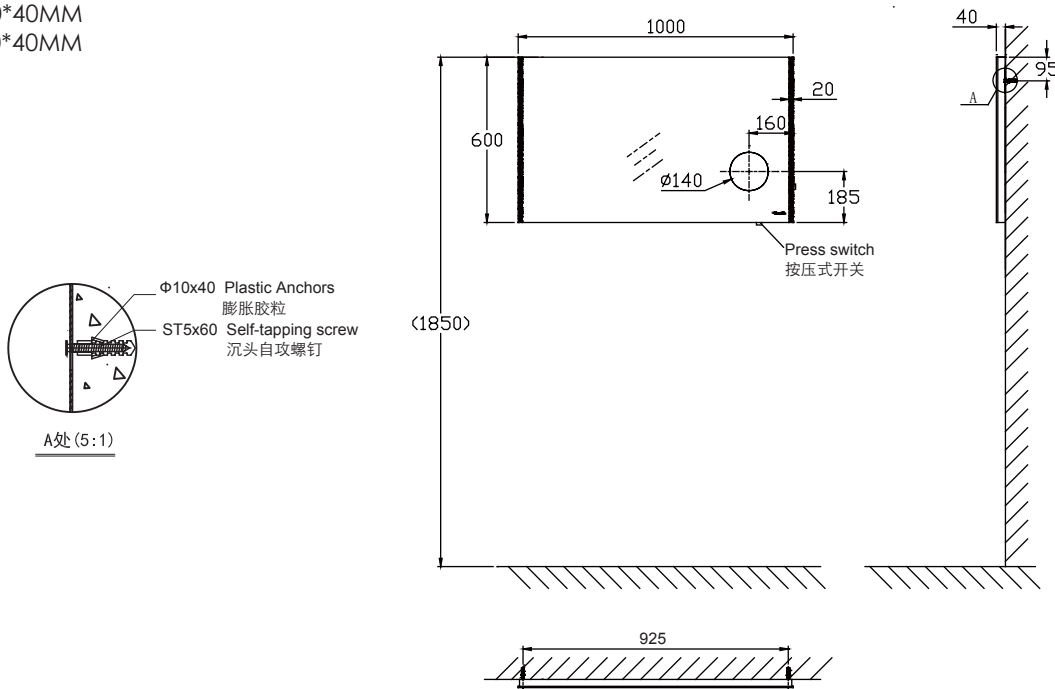
安装尺寸图:

(Unit): mm

单位: 毫米

Size: 1000*600*40MM

尺寸: 1000*600*40MM



Item No. 品号	NM110003N-LM		
Available Color 颜色	Metallic Frame 铝合金本色边框		
Materials 材质	5mm The mirror, Aluminum 5mm 镜子, 铝合金方管		
Shipping Package 运输包装	CTN/Set: 1 CTN 箱/套: 1 箱	M ³ /CTN: 0.085M ³ 体积/箱: 0.085 M ³	G.W/CTN: 14.5kg 毛重/箱: 14.5kg
Hardware Accessories (hinge) 五金配件(铰链)	There is no 无		
Certification is introduced 认证介绍 (电器)	CE and IP44 certification CE和IP44认证		
Function is introduced 功能介绍	LED function LED功能	Anti-fog mirror 防雾镜	A magnifying glass 放大镜功能
Remarks: Enclosed screw package installation ; White light, Voltage: AC220V; Frequency: 50HZ. Press switch 备注: 内附安装螺丝包; 白光光源, 电压: AC220V, 频率: 50HZ. 按压开关			

INNOCI reserves the right to make changes or modifications on any of its products without advance notice.
INNOCI 艺耐公司保留不事先通知便改变或修改的权利

innoci

Innoci Sanitary ware Co.,Ltd
www.innoci.com

Version : A0
版次 : A0