

PRODUCT SPECIFICATION 产品规格书

NF15363BG-A

Single Handle Basin Faucet (Tall)

单孔单把手盆龙头(加高)



(Rough-in Dimensions):

安装尺寸图:

(Unit): mm

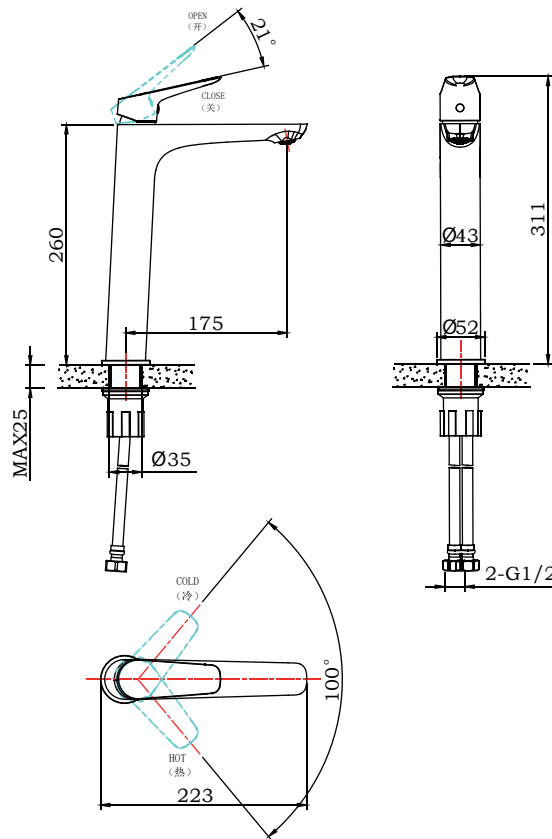
单位: 毫米

Pressure range: 0.1-0.5MPa

水压范围: 0.1-0.5MPa

Best to use: 0.3MPa

最优水压: 0.3MPa



Item No. 品号	NF15363BG-A		
Available Color 颜色	Gold Sand 流沙金		
Materials 材质	Brass 铜		
Cartridge 阀芯	Ø35 ceramic cartridge Ø35陶瓷阀芯		
Aerator 起泡器	NEOPERL 纽铂		
Shipping Package 运输包装	Set/CTN: 8 Set 套/箱: 8套	M ³ /CTN: 0.06M ³ 体积/箱: 0.06 M ³	G.W/CTN: 16.8 kg 毛重/箱: 16.8 kg

Remarks: With S.S. flexible supply tube set, Table opening size Ø35, 0.1MPa±0.02MPa: 4.15 L/min; 0.3MPa±0.02MPa: 4.65 L/min.

备注: 包含不锈钢进水软管组, 台面开孔尺寸Ø35。0.1MPa±0.02MPa 流量: 4.15 L/min; 0.3MPa±0.02MPa 流量: 4.65 L/min。

INNOCI reserves the right to make changes or modifications on any of its products without advance notice.
INNOCI 艺耐公司保留不事先通知便改变或修改的权利

innoci[®]

Innoci Sanitary ware Co.,Ltd
www.innoci.com

Version:A0
版本:A0