

PRODUCT SPECIFICATION 产品规格书

ND7207C

Paper holder
纸巾架

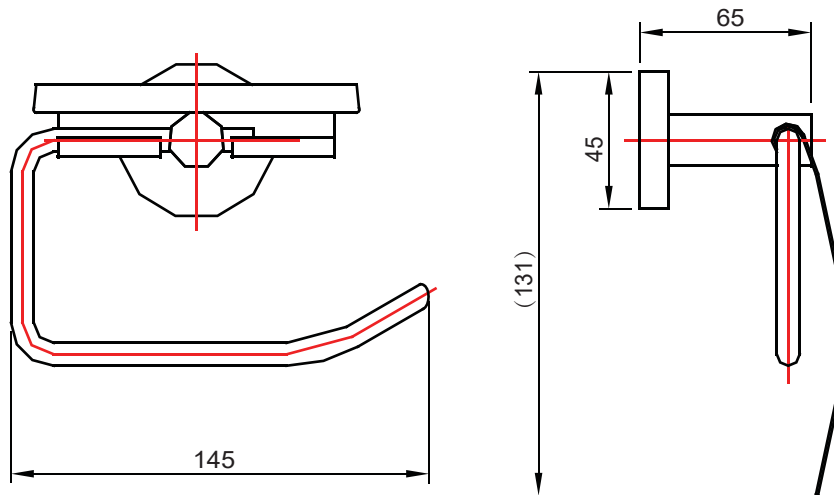


(Rough-in Dimensions):

安装尺寸图:

(Unit): mm

单位: 毫米



| | | | |
|---|------------------------------|--|---------------------------------|
| Item No. 品号 | ND7207C | | |
| Available Color 颜色 | Chrome 铬色 | | |
| Materials 材质 | Brass 黄铜 | | |
| Shipping Package 运输包装 | Set/CTN: 20 Set 套/箱: 20 套 | M^3 /CTN: 0.05 M^3 体积/箱: 0.05 M^3 | G.W/CTN: 8.5 kg 毛重/箱: 8.5 kg |
| Remarks: With install screw set. 备注: 含安装螺丝包。 | | | |

INNOCI reserves the right to make changes or modifications on any of its products without advance notice.
INNOCI 艺耐公司保留不事先通知便改变或修改的权利

innoci

Innoci Sanitary ware Co.,Ltd
www.innoci.com

Version:A0
版本:A0