

PRODUCT SPECIFICATION

ENC2165GW-3

Intelligent All-in-one Machine



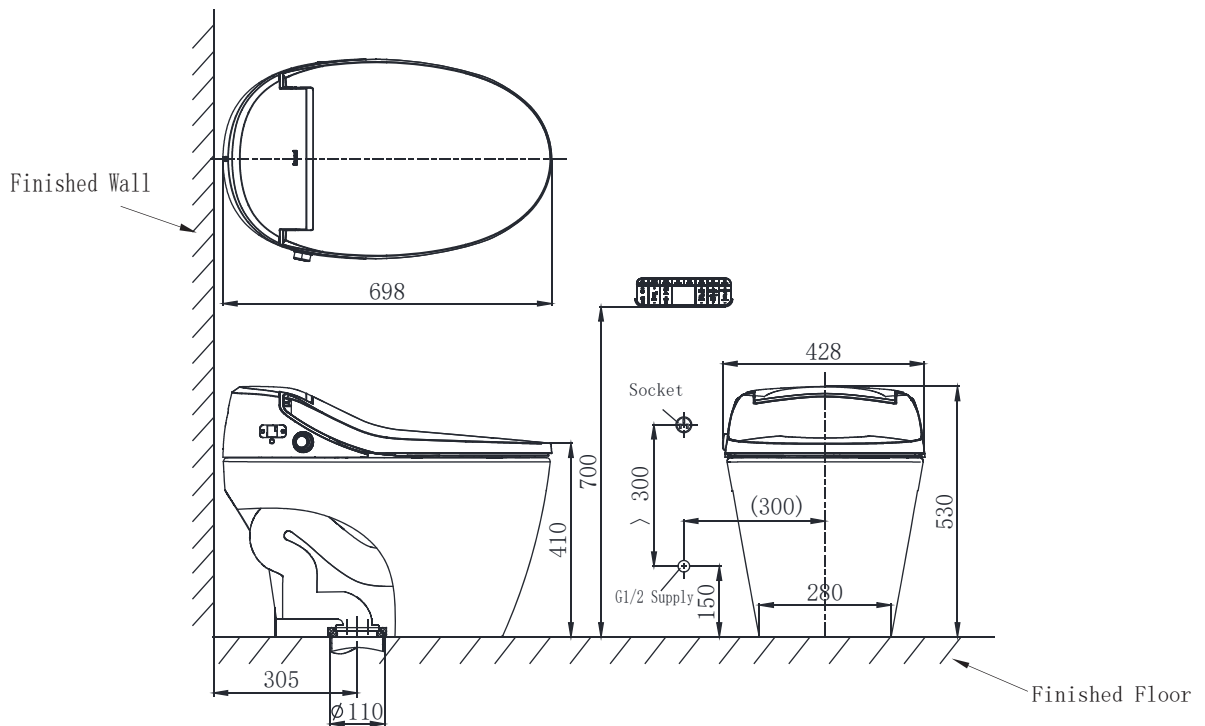
(Rough-in Dimensions):

(Unit): mm

698X428X530(mm)

Pressure range: 0.1-0.5MPa

Best to use: 0.3MPa



Item No.	ENC2165GW-3
Available Color	White
Materials	Vitreous China
Flush System	Siphon
Flush Amount	Half Flush: 3L , Full Flush: 5L
Seat & Cover	Soft Closing
Shipping Package	(L) 800X (W) 550X (H) 610mm, (G. W) : 46. 7kg

Remarks: Rough-In: 305mm, Voltage: 220V / 50Hz. Function intro: Period care/Position/Soft lighting/Seat temperature/SPA/ Massage/Child Mode/Reciprocating cleaning/Energy-Saving/Water temperature/Warm air/Deodorization/General/ Bidet/Intelligent flush/Induction automatic clamshell/Remote control.

INNOCI reserves the right to make changes or modifications on any of its products without advance notice.

innoci

Innoci Sanitary ware Co.,Ltd
www.innoci.com

Version:A0